

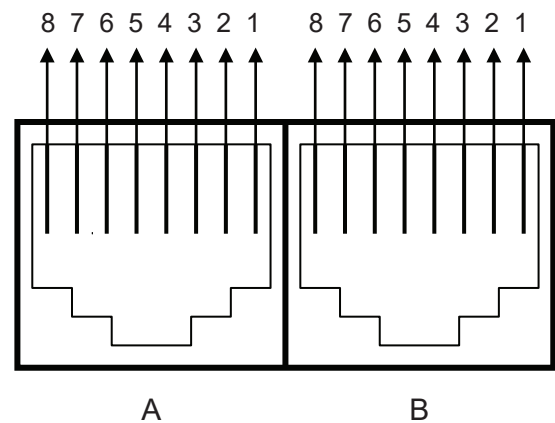
Thank you for purchasing the Intellitron DM-5300 Desktop Microphone for Icom HF Radios. To ensure optimal performance and long-lasting use, please read this instruction manual carefully. The DM-5300 features a high-quality, highly sensitive ceramic microphone element. It is designed to maintain a consistent voice transmission level in SSB mode, whether your voice is soft or loud.

### SPECIFICATIONS

- **Microphone:** High-Sensitivity Ceramic Microphone Element
- **Compressor Level:** High: 45 dB | Low: 10 dB
- **Output Voltage:** 0 - 30 mV (RMS)
- **Output Impedance:** 500 ohms - 100K ohms
- **Power Voltage:** 3V DC
- **Current Consumption:** 2mA (Receiving), 3 mA (Transmitting)
- **External Dimensions:** 4" (W) x 6.1" (D) x 1.4" (H)
- **Weight:** Approximately 1 lb

### MICROPHONE CONNECTION INFORMATION

Pin	Function (Side A)	Function (Side B)
1	No Connection	UP
2	PTT Ground	+8V DC
3	MIC Input	PTT Ground
4	MIC Ground	PTT
5	PTT	MIC Ground
6	No Connection	MIC
7	Frequency UP/DN	X
8	+8V DC Input	DOWN



### CONTROLS & FUNCTIONS

#### 1. Power Switch

- Press to turn the microphone ON; the "ON AIR" indicator (2) will flash.
- Press again to turn the microphone OFF.

#### 2. "ON AIR" Indicator

- When the Power Switch is set to ON, the LED flashes to indicate receiving mode.
- The LED remains continuously ON during transmission.

#### 3. PTT (Push-to-Talk) Switch

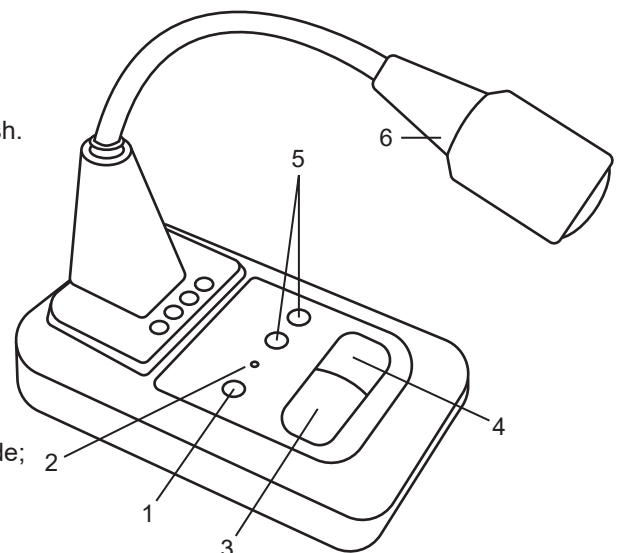
- Use for long transmissions. Press to lock the microphone in TX mode; the ON AIR indicator (2) stays continuously lit.
- Also used to release the Lock Switch.

#### 4. LOCK Switch

- Use for long transmissions. Press to lock the microphone in TX mode; the ON AIR indicator (2) stays continuously lit.
- To return to RX mode, press the PTT Switch (3).

#### 5. UP/DOWN Switches

- Use these switches to adjust the frequency UP or DOWN.
- Refer to your transceiver's manual for details on frequency adjustments.



## 6. Condenser Microphone

- A high-sensitivity ceramic microphone element ensures clear and high-quality voice transmission.

## 7. Microphone Output Connector

- DMC-5290I Microphone Cable for Icom Radios included
- For pin connections, see the Cable Chart on Page 1.

## 8. FM/SSB Audio Quality Selector

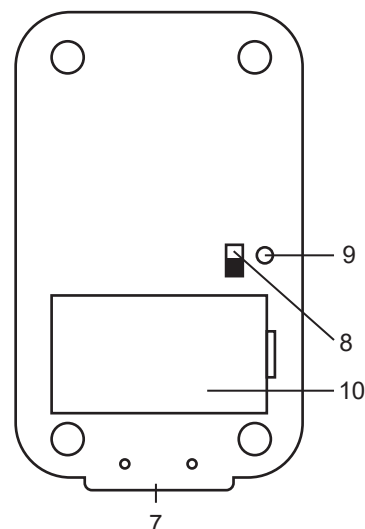
- Use this switch to adjust the microphone output audio quality:
  - FM Mode: Produces clear voice quality with wide frequency characteristics.
  - SSB Mode: Delivers sharp and crisp voice for effective DX communication.

## 9. Output Volume Adjustment

- Adjust the output voltage using a 3mm screwdriver to turn the variable resistor:
  - Clockwise: Increases output voltage
  - Counterclockwise: Decreases output voltage
- Factory setting: 10 mV RMS output voltage.
- When adjusting, ensure the Compressor Level Switch (9) is set to the HIGH position.

## 10. Battery Cover

- Remove the cover to install 2 AA batteries (not included). Ensure the batteries are installed correctly.



## CAUTIONS

- Ensure your antenna has a low SWR and proper grounding to avoid RF feedback issues.
- Turn the Power Switch to OFF after your QSO to conserve battery life.



## TWO YEAR LIMITED WARRANTY

This Limited Product Warranty is provided by the Dealer where your Intellitron product was purchased. The Product Warranty extends only to the original purchaser of the product and is valid for a period of two years from the date of purchase. Please keep your dated sales receipt as evidence of the date of purchase. You will need it to receive warranty service. Your Dealer warrants the product will be free from defects in workmanship and materials under normal use. If the product fails to conform to the warrant and is within the warranty period of two years, contact your original dealer for a return authorization. Your dealer may choose to either repair or replace the non-conforming product.